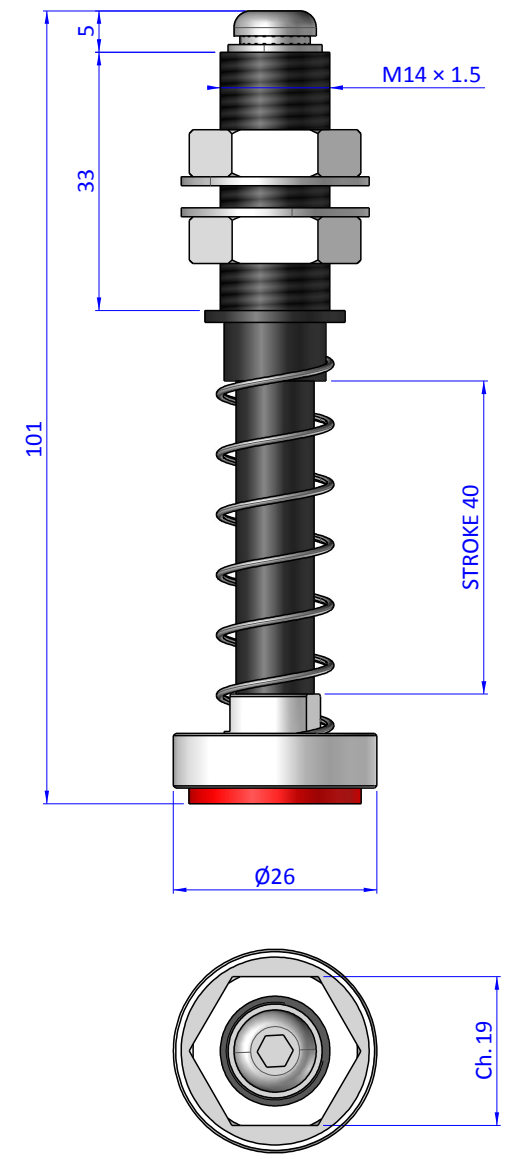
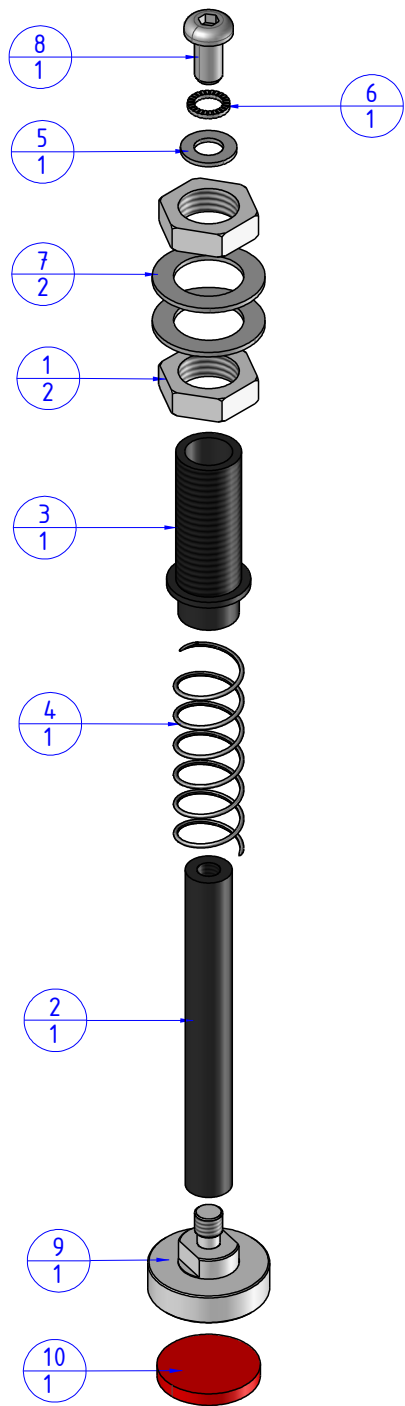


THE PROPERTY OF THE DRAWING IS ESTABLISHED BY LAW. IT IS FORBIDDEN TO PRODUCE OR SHOW IT TO THIRD PARTY, WITHOUT A WRITTEN AGREEMENT.

Item	Name	Q.ty
1	05.01.001.06	2
2	GGD.14.40	1
3	GGDG.14.2	1
4	M.15X60	1
5	R.6	1
6	R.6.SCH	1
7	R.14.SCH	2
8	V.TBCE6X12.BUTT	1
9	VSX.14.1	1
10	VSX.14.2	1



Format A3
UNI 936-76

		DESIGNED FROM	REVIEW
		FP SERVICES	A
GENERAL TOLERANCE	DESCRIPTION	DATE	WEIGHT
UNI - ISO 2768	CA.VSX.1440	22/02/2019	0,039kg
CLASSE f		CODE	CA.VSX.1440